



SU SERIES

SU-1200/SU-850/SU-650



SU-1200/SU-850/SU-650 摩擦式鋸片研磨機
FRICITION SAW BLADE SHARPENING MACHINE



SU1200/850/650

FRICITION SAW BLADE SHARPENING MACHINE 摩擦式鋸片研磨

SUPERIOR INNOVATION AND BRAND NEW DESIGN / 全新設計

- A new generation design based on years practical experience and therefore create one professional class friction saw blade sharpening machine.
本機經過多年的精心設計，是一部專業級的摩擦式鋸片研磨機。
- The patented vertical grinding direction, easy to operate controls.
專利直立式鋸片研磨方式，可以使您輕易的操作機器。
- Brand New Deign: The vertical type friction saw blade sharpening machine is made with the thinking of operator as top priority. All adjustment levers have been properly arranged, which allows operator to adjust rather cutting angle, back clearance angle, tooth depth and pitch of saw blade easily. Therefore, grinding sharp saw blade became quick and precise.
全新的設計，本著操作者的立場所設計的直立式摩擦式鋸片研磨機，其所有的調整桿，均做了合理的排列，讓操作者可以很容易調整鋸齒的切削角、背隙角、齒深及齒距，所以可以快而準確的研磨出鋒利的鋸片。

PATENTED SAW BLADE THICKNESS ADJUSTMENT / 專利的鋸片厚度調整

- Saw blade thickness is clamped by two synchronic movement mechanisms at the same time.
It can help the saw blade in the center position. Therefore, no need to adjust the thickness of saw blade manually. Besides, as saw blade is clamped well, the grinding noise can be lowered.
鋸片厚度經兩個同動的機構同時夾持，可將鋸片夾持在中心位置，所以不必再手動調整鋸片厚度。同時因為將鋸片夾持研磨，所以可以降低研磨時的噪音。

INVERTER CONTROLS THE SPEED / 變頻器變速

- The machine equipped with inverter which can control the speed of grinding.
使用變頻器來控制研磨速度。
- The grinding speed can be adjusted with the change of tooth pitch.
可隨齒距的變化來調整所需要的研磨速度。
- Main parts all utilize SKD 11 high carbide steel and have been through grinding and heat treatment.
主要零件均採用SKD11高碳鋼，並經熱處理研磨。
- Prop stand for feeding shaft of saw blade: Use high strength copper alloy as basic material with high-tech made solid lubricant added inside. It got features of high loading capacity and wearing resistance even without any need to apply lubricant additionally.
鋸片推給軸支撐座：使用高強度銅合金作基材，埋入高科技技術製造之固體潤滑劑，其高負荷、耐磨耗的特性更達到完全無給油功能。

Professional Class Friction

Saw Blade Sharpening Machine

專業級的摩擦式鋸片研磨機



Optional Accessories / 選購配件



Acrylic Guard
壓克力護罩



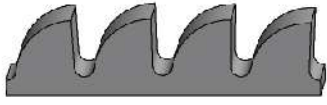
Manual Lubrication System
手動潤滑系統

SU1200

摩擦式鋸片研磨機

FRICITION SAW BLADE SHARPENING MACHINE

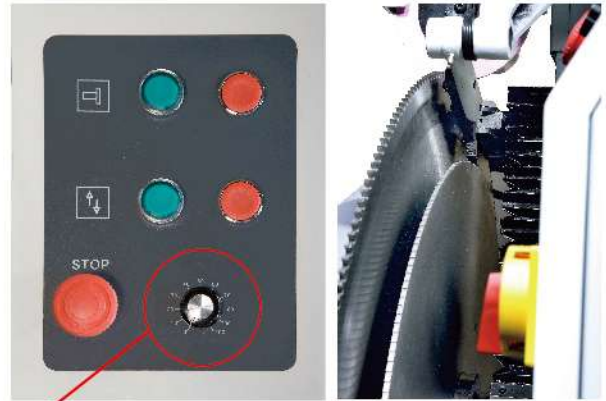
GRINDING SERIES 研磨例



● Friction Saw Blade 摩擦式鋸片



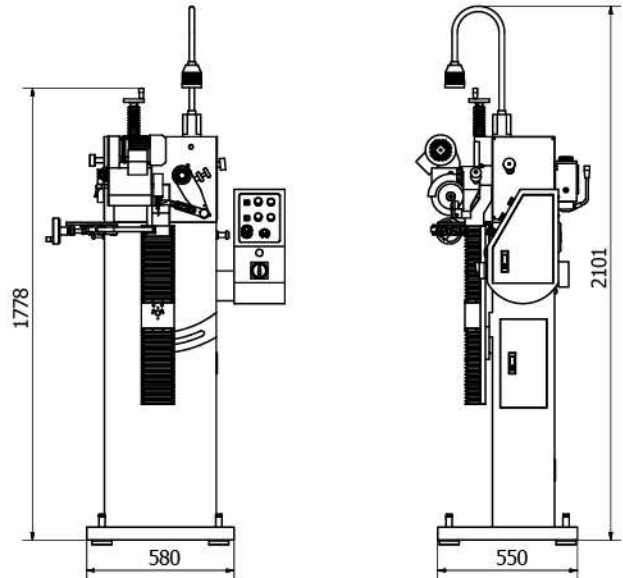
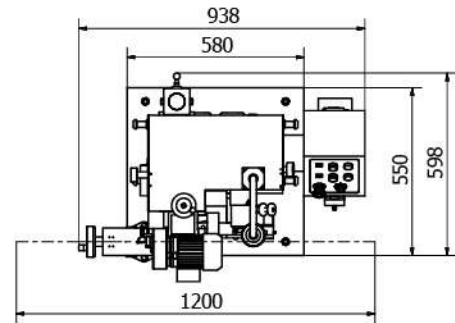
● Friction Saw Blade ECO



● Stepless speed variation adjustment button
無段變速調整鈕



Machine Dimensions / 機械尺寸圖



Specifications / 規格表

Saw Blade Diameter 研磨範圍	Ø450 ~ Ø1200mm
Tooth Pitch 齒距	25 mm
Saw Blade Thickness 鋸片厚度	12 mm
Grinding Speed 研磨速度	10 ~ 100
Cutting Angle 切削角	-5 ~ +15
Grinding Wheel Diameter 砂輪外徑	Ø180
Grinding Wheel Motor 砂輪馬達	0.75 kw
Transmission Motor 傳動馬達	0.37 kw
Grinding Wheel Speed (50HZ/60HZ) 砂輪轉速	3800 / 4500 rpm
Net Weight / Gross Weight 淨重 / 毛重	373 / 443 kg
Package Size 裝箱尺寸	125x114x210 cm

Standard Accessories / 標準配備

Work Light 工作燈	1 pc/個
Tool Box 工具箱	1 set/套
Instruction Manual 說明書	1 copy/份
Guide Plate 導板	1 pc/片
Grinding Wheel 砂輪	10 pcs/片

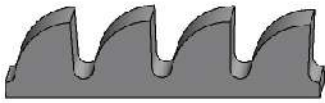
SU850

摩擦式鋸片研磨機

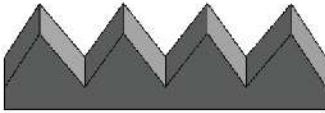
FRICITION SAW BLADE SHARPENING MACHINE



GRINDING SERIES 研磨例



● Friction Saw Blade 摩擦式鋸片



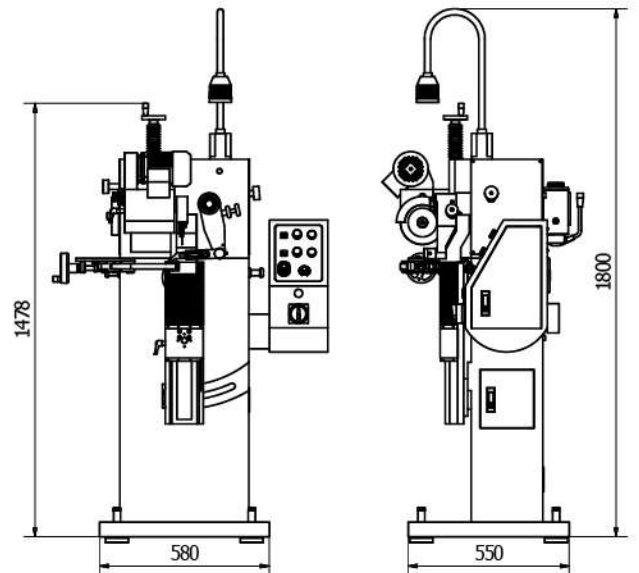
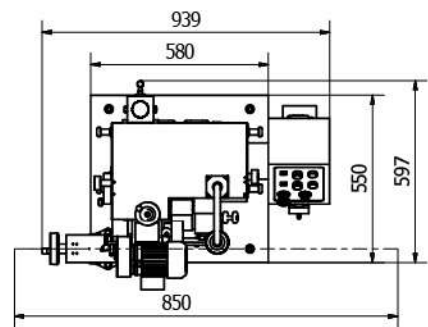
● Friction Saw Blade ECO



● Stepless speed variation adjustment button
無段變速調整鈕



Machine Dimensions / 機械尺寸圖



Specifications / 規格表

Saw Blade Diameter 研磨範圍	Ø350 ~ Ø850mm
Tooth Pitch 齒距	25 mm
Saw Blade Thickness 鋸片厚度	12 mm
Grinding Speed 研磨速度	10 ~ 100
Cutting Angle 切削角	-5 ~ +15
Grinding Wheel Diameter 砂輪外徑	Ø180mm
Grinding Wheel Motor 砂輪馬達	0.75 kw
Transmission Motor 傳動馬達	0.37 kw
Grinding Wheel Speed (50HZ/60HZ) 砂輪轉速	3800 / 4500 rpm
Net Weight / Gross Weight 淨重/毛重	277 / 354 kg
Package Size 裝箱尺寸	117x114x176 cm

Standard Accessories / 標準配備

Work Light 工作燈	1 pc/個
Tool Box 工具箱	1 set/套
Instruction Manual 說明書	1 copy/份
Guide Plate 導板	1 pc/片
Grinding Wheel 砂輪	10 pcs/片

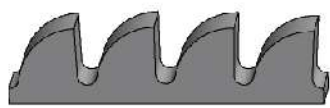
SU650

摩擦式鋸片研磨機

FRICITION SAW BLADE SHARPENING MACHINE



GRINDING SERIES 研磨例



● Friction Saw Blade 摩擦式鋸片



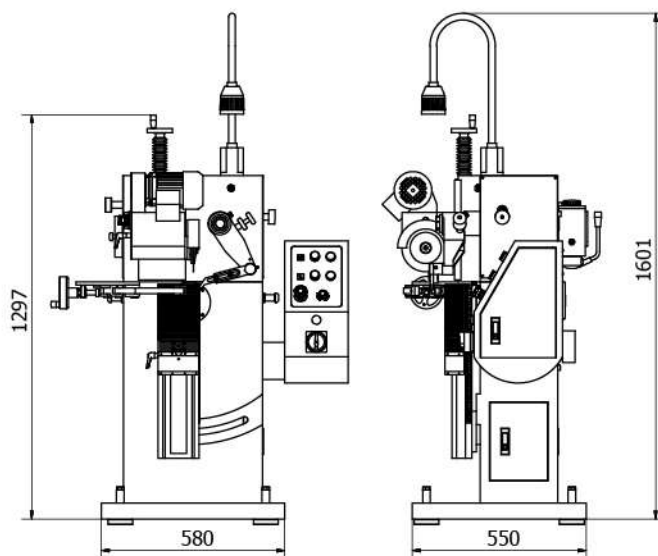
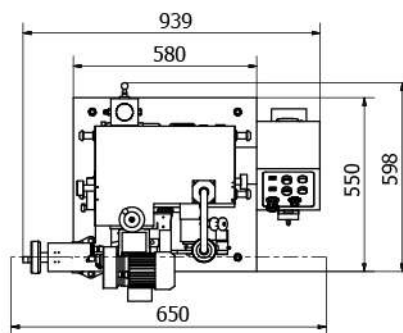
● Friction Saw Blade ECO



● Stepless speed variation adjustment button
無段變速調整鈕



Machine Dimensions / 機械尺寸圖



Specifications / 規格表

Saw Blade Diameter 研磨範圍	Ø250 ~ Ø650mm
Tooth Pitch 齒距	25 mm
Saw Blade Thickness 鋸片厚度	12 mm
Grinding Speed 研磨速度	10 ~ 100
Cutting Angle 切削角	-5 ~ +15
Grinding Wheel Diameter 砂輪外徑	Ø180mm
Grinding Wheel Motor 砂輪馬達	0.75 kw
Transmission Motor 傳動馬達	0.37 kw
Grinding Wheel Speed (50HZ/60HZ) 砂輪轉速	3800 / 4500 rpm
Net Weight / Gross Weight 淨重/毛重	261 / 340 kg
Package Size 裝箱尺寸	102x114x165 cm

Standard Accessories / 標準配備

Work Light 工作燈	1 pc/個
Tool Box 工具箱	1 set/套
Instruction Manual 說明書	1 copy/份
Guide Plate 導板	1 pc/片
Grinding Wheel 砂輪	10 pcs/片



易研精密機械有限公司

EYAN MACHINE TOOLS CO., LTD.

台中市南屯區精科七路5號

No.5, Jingke 7th Rd., Nantun Dist., Taichung City 408, Taiwan

Tel: +886-4-2355-3111 Fax: +886-4-2355-2111

E-mail: eyan@eyan.com.tw

eyan@eyan.com

<http://www.eyan.com>

[//www.hsssaw.com](http://www.hsssaw.com)

